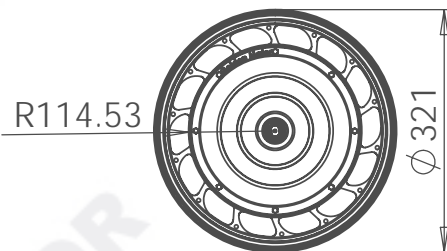
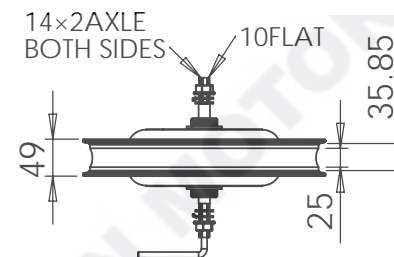
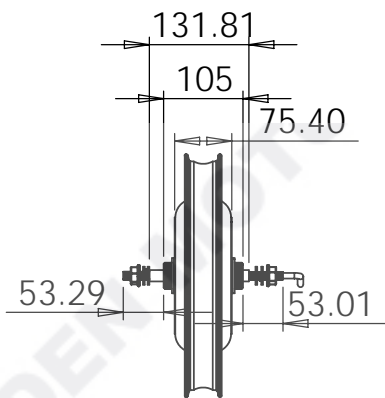


MOTOR	Motor Type:	VDC,Brushless
	Max.Efficiency Voltage:	
	Continuous Duty Watts:	
	Continuous Duty Amps:	
	Motor Leads:	



Weight:6.7KG

REL#:	BY: TOM	DATE: 03/06/2008
USED ON:	E-bicycle	
SCALE: NONE	GOLDEN MOTOR	DRWN BY: TOM
SHEET: 1 OF 1		CHKD BY: TOM
TITLE:	MW16B--16" Motor Wheel	
MATRL:	PART NO.:	